



EW535M

IzarCenter

M-BUS LEVEL CONVERTERS

PRODUCT DATA



Design

All system components consist of:

- Rail-mount housing with fuse profile, width 157.5mm

Materials

- Housing made of light-grey heat resistant plastic

Application

EW535 Series M-Bus System Components enable remote recording and reading out of M-Bus capable meters, e.g. Honeywell Home EW773 Series ultrasonic heatmeters.

The M-Bus system is used to connect various meters, typically M-Bus capable heat meters and water meters but also gas or electricity meters to a central M-Bus master unit. Values recorded by the meter are stored in the master unit and can be read out directly by connecting a PC or remotely, e.g. by telephone line or LAN converter.

Many non M-Bus capable meters can be connected to the M-Bus by using a converter.

Features

- **M-Bus master and level converter in one device**
- **IzarCenter can also be used as M-Bus repeater (amplifier)**
- **60, 120 or 250 M-Bus devices maximum**
- **256MB flash memory (for approx. 500,000 readings)**
- **Real time clock with date and time, max. deviation +/-1 minute per month, 10 years battery life time without external power supply**
- **Programmable automatic meter readout**
- **Device list for 1,000 devices**
- **Comfortable Windows® software included for easy on-site or remote configuration**

Specifications

Ambient temperature	-20...70°C
Humidity rating	10...90% RH
M-Bus transmission speeds	300, 600, 1200, 2400, 4800 and 9600 baud Automatic baudrate detection
Protection class	IP20
Power supply	110...230V AC, 50...60Hz
Interfaces	RS232 PC/modem interface M-Bus output M-Bus repeater input USB Ethernet LAN

Ordering Information

Table 1. Ordering Information

Item	Description	OS-No.
IzarCenter 60	M-Bus level converter/repeater for max. 60 M-Bus devices	EW535M5777
IzarCenter 60 Memory	M-Bus master for max. 60 M-Bus devices, 256MB data logger memory	EW535M5781
IzarCenter 120	M-Bus level converter/repeater for max. 120 M-Bus devices	EW535M5778
IzarCenter 120 Memory	M-bus master for max. 120 M-Bus devices, 256MB data logger memory	EW535M5782
IzarCenter 250	M-Bus level converter/repeater for max. 250 M-Bus devices	EW535M5780
IzarCenter 250 Memory	M-Bus master for max. 250 M-Bus devices, 256MB data logger memory	EW535M5783

Dimensions

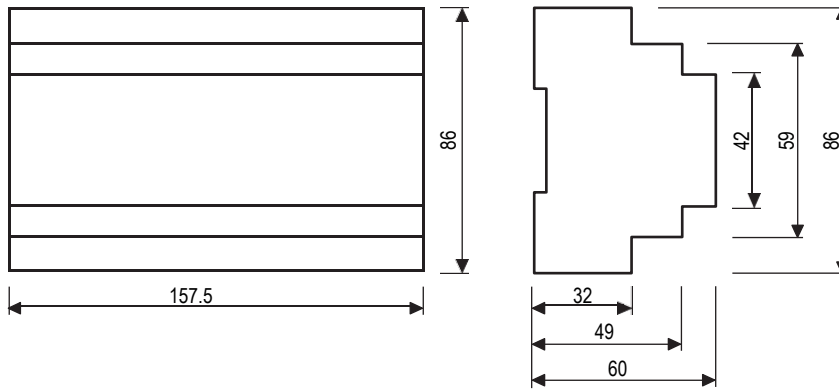
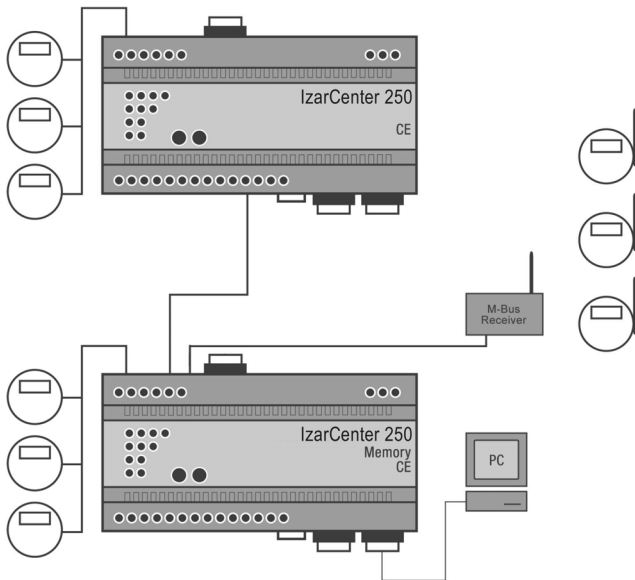


Fig. 1. Dimensions

NOTE: All dimensions in mm

Application Examples



M-Bus network with master unit, repeater unit and wired as well as wireless M-Bus devices