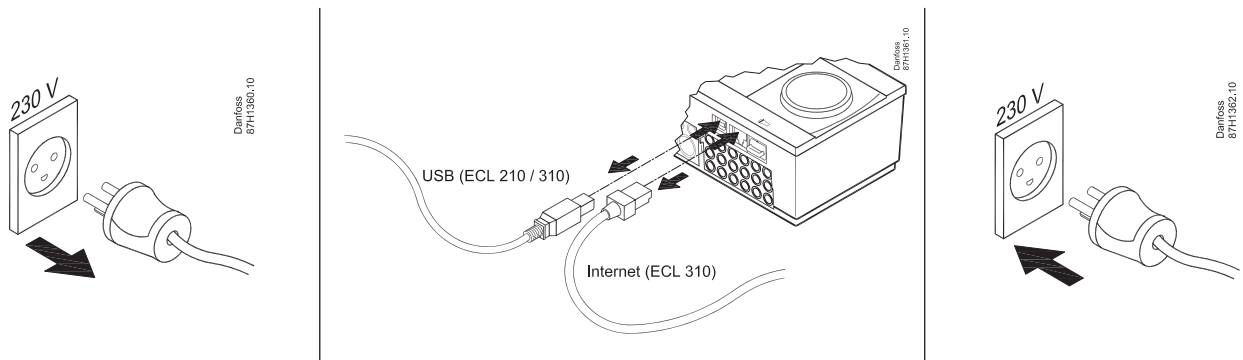
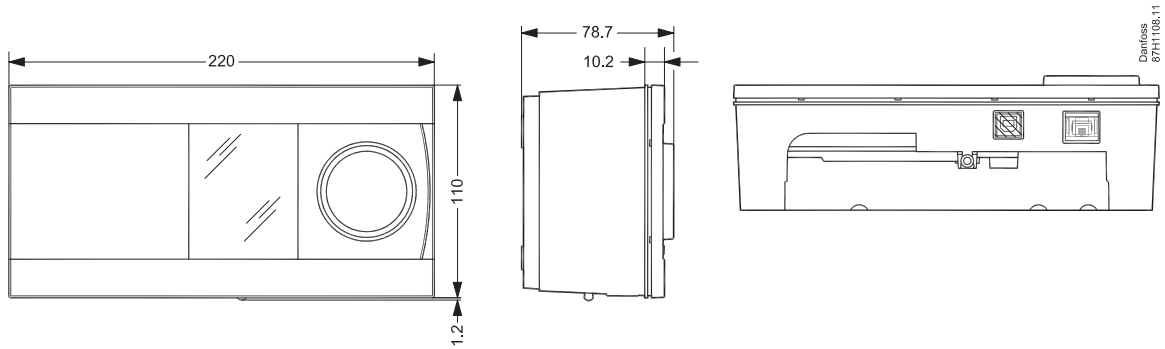


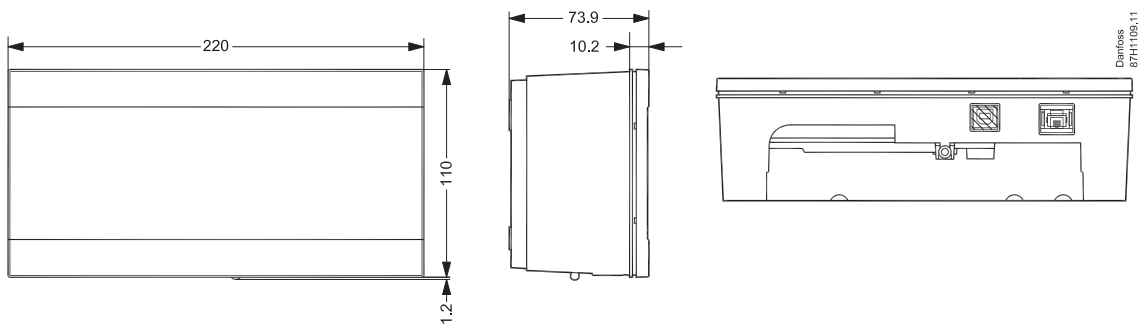
Installation Guide

# ECL Comfort 210 / 210B

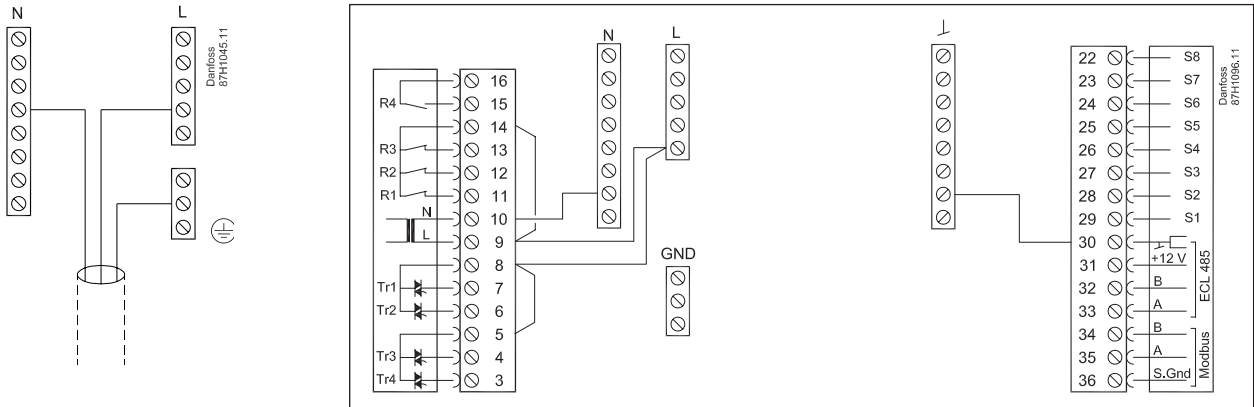
ECL Comfort 210 (code no. 087H3020)



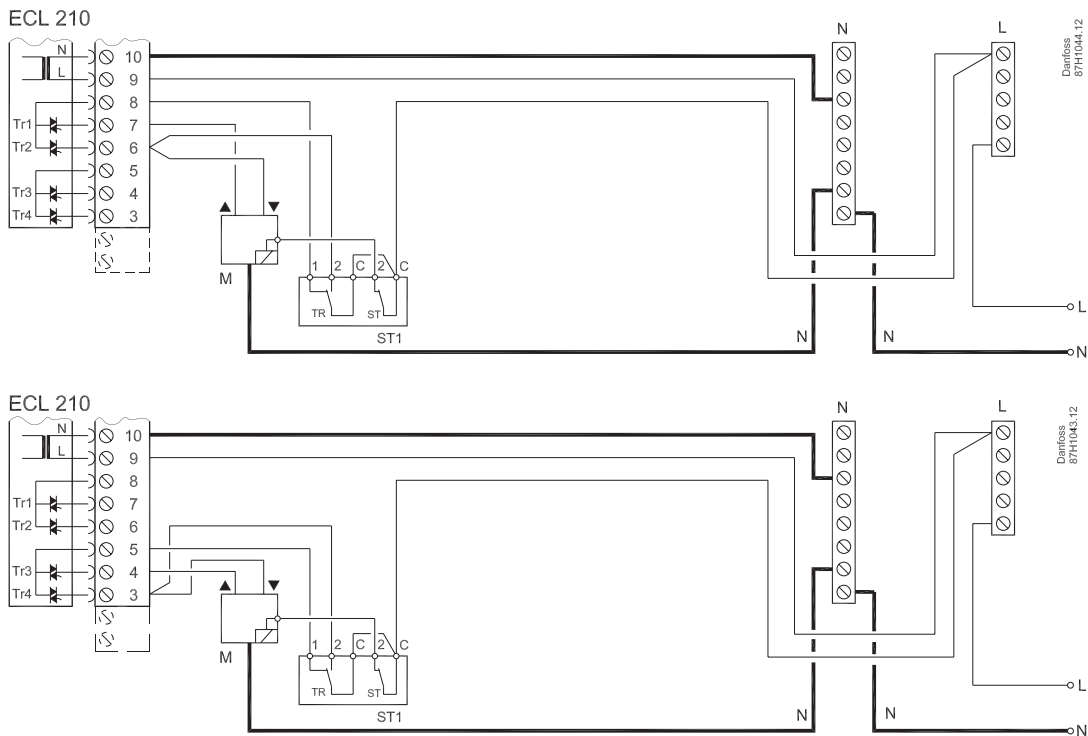
ECL Comfort 210B (code no. 087H3030)



Installation Guide, ECL Comfort 210 / 210B



24 V a.c. / 230 V a.c. safety thermostat



- ? [www.heating.danfoss.com](http://www.heating.danfoss.com)
- ? <https://www.youtube.com/user/DanfossHeating>  
-> Playlists -> How-to Videos -> District Energy installation videos

